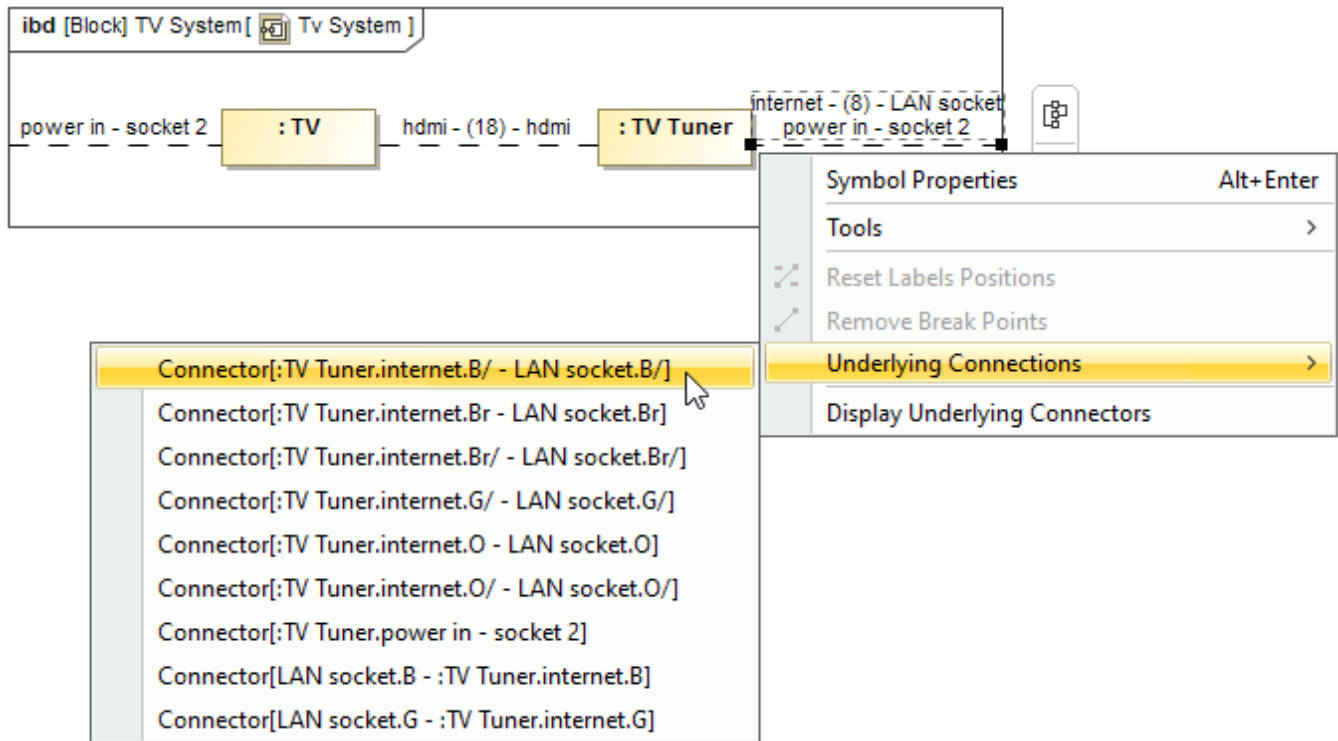


# Selecting actual Connectors in the Containment tree

If you want to see an actual Connectors underneath the implied relation without displaying them, you can select them in the Containment tree. How to select actual Connector in Containment tree read the following procedure.

To select actual Connector in the Containment tree

1. Select the implied relation.
2. From its shortcut menu, point to the **Underlying Connections** command group, and select an appropriate Connector. Actual Connector is selected in the Containment tree.



The Underlying Connectors command group provides a list of actual Connectors which are underneath the implied relation.

## Related pages

- [SysML Internal Block Diagram](#)
- [Connecting parts through interface](#)
- [Hiding direction arrow on port shape](#)
- [Displaying parts and ports](#)
- [Autowiring function](#)
- [Property path notation](#)
- [Enforce Ports Compatibility mode](#)
- [Displaying elements](#)
- [Connector](#)
- [Proxy Port](#)
- [Flow Port](#)
- [Full Port](#)

## Sample model

The sample model used in the figures on this page is the **Implied Connectors** sample model. Download [Implied Connectors.mdzip](#).