

# Connecting parts through interface

You can drag the [Interface Block](#) directly on the [Connector](#) relationship to:

- Create [Proxy Ports](#) at both ends of the Connector.
- Set types (interfaces) of Proxy Ports.
- Set directions of Proxy Ports.
- Keep layout of the Connector.

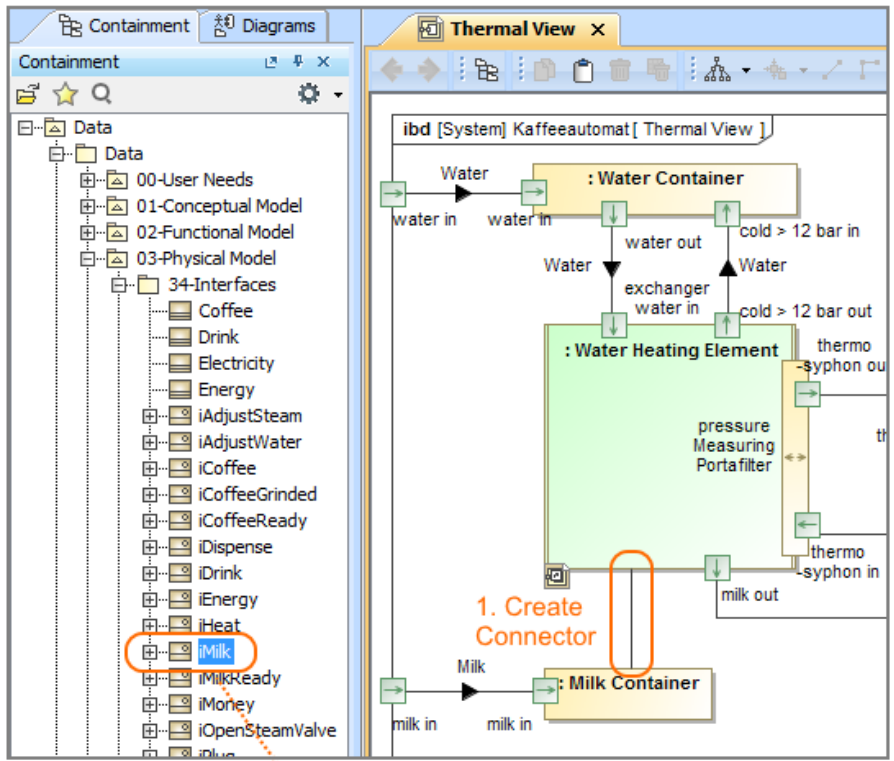
That helps to ensure an efficient interface modeling in the [Internal Block Diagram](#).

To connect [parts](#) through interface

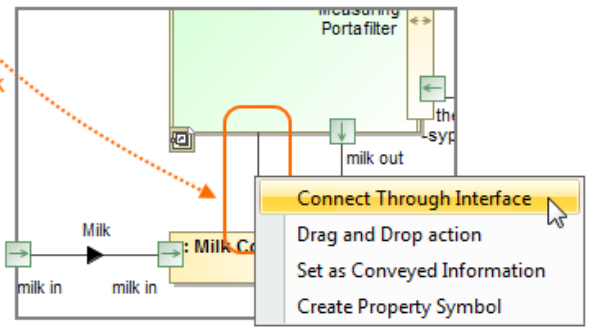
---

1. Create a Connector between two [Part Properties](#).
2. Drag an [Interface Block](#) on the Connector.

- From the opened menu, select **Connect Through Interface** command.  
The **Proxy Ports** with directions and interfaces are created.



2. Drag Interface Block



3. Ports with directions and interfaces are created.

